

# DAUMAR SIA



## AUTOMATIC HEADER BAG MACHINE

# HB-46

- Fully automatic bagger, designed to make, fill and close Header Bags.
- Stainless steel finish.
- Capable of handling extruded net, knitted net, or tubular raschel mesh.
- Soft fill feature handles delicate produce gently.
- Ideal for citrus, potatoes, onions, garlic, avocados, etc.
- Wide range of bag sizes with minimum adjustment.
- Minimum of 3000 bags between reloading.



**AUTOMATIC  
HEADER BAG MACHINE  
HB-46**



- Production between 22 and 27 bpm, depending on bag size and size of produce.
- The HB-46 makes the header out of coated paper or laminated plastic on a roll.

**HB-46 V/R**

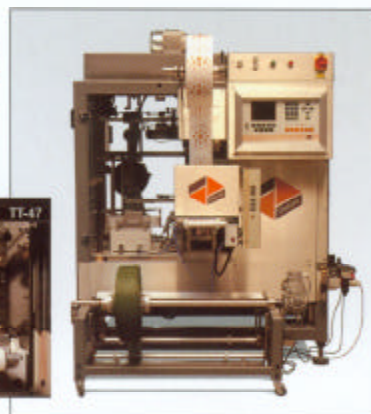
- Headers between 170 and 280mm.
- Metal clip in 2 sizes (7,4mm & 13 mm).
- Optional Kwik-Lock closing head.
- Can handle up to 4,5kg (lbs) in weight.

**HB-46 S**

- Headers between 60 and 200mm.
- Tightening and top cutting devices.
- For small and medium sized bags.
- Standard clipping head (7,4mm).
- In line packaging possibilities.

**OPTIONAL PRINTER TT-47**

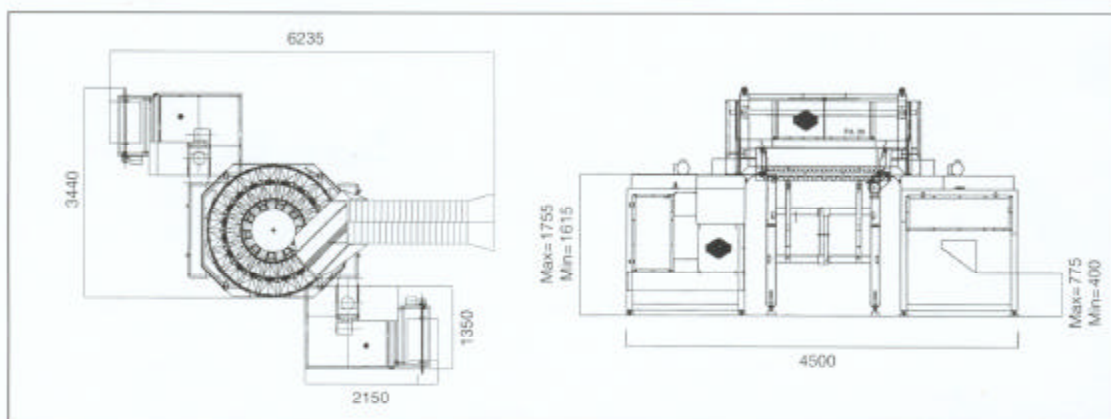
- Thermo-transfer electronic printer.
- Transfer film bobbin: 60mm wide x 90mm diameter.
- Use transfer film rolls and print directly on the header. Different colours available.
- User friendly "Daumar-40" software running on Windows-95 and later versions.



**WEIGHT & SIZE SPECIFICATIONS**

Crated size	1.980 mm (78") long 1.680 mm (66") wide 2.070 mm (82") high
Feeding height	1.600 mm (63")
Weight	887 Kg (1.955 lbs) net /1.167 Kg (2.573 lbs) gross
Net roll size	1.000 mm (40") diameter 500 mm (20") diameter
Film roll size	180 mm (6") Core Ø 76,2 mm 400 mm (15,8") diameter
Wire	Copper coated wire, 3x0,5 mm

TECHNICAL SPECIFICATIONS	
Motors	1 x 0,08 CV 1 x 0,5 CV
	2 x 0,25 CV
Electric Consumption	2 KW
Frequency	50-60 Hz
Voltage	220-380-415 v
Air consumption/cycle	53,3 litres
Max. Air consumption	1.600 lit./min.
Operating air pressure	6-7 bar



Distributed by:



C/ Wifredo, 794-796  
08918 Badalona (Barcelona) España  
Tel. 34 - 93 460 15 93 • Fax 34 - 93 383 85 05  
E-Mail: info@daumar.com  
http://www.daumar.com